

# Download File PDF Cf6 80c2 Engine Manual

#Jenny



Finally I get this ebook, thanks for all these I can get now!

#Rio



Cool! I'am really happy

#Markus Jensen



I did not think that this would work, my best friend showed me this website, and it does! I get my most wanted eBook

#Hun Tsu



wtf this great ebook for free?!

#Che Salsa




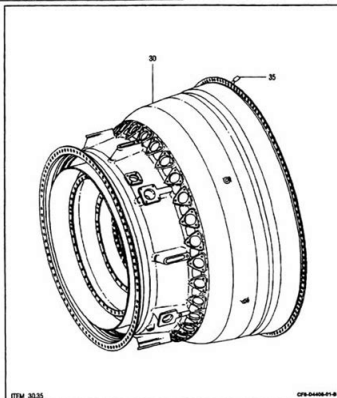
My friends are so mad that they do not know how I have all the high quality ebook which they do not!

#Diego Butler



so many fake sites. this is the first one which worked! Many thanks

 **CF6-80C2 ENGINE**  
ILLUSTRATED PARTS CATALOG  
GE Engine Services Distribution, L.L.C.



CORE NOZZLE-MAJOR ASSEMBLIES  
FIGURE 1 - SHEET 2

**72-00-02**  
FIG 1, PAGE 02  
MAY 1/00

[Download PDF version of :](#)  
**Cf6 80c2 Engine Manual**